



Technical Services

with
GLOBAL AEROSPACE
an SEA Company

www.seaerospace.com



Engineering - Certification - Airworthiness
On Time Delivery - Zero Defect - Fair Price
Parts 23, 25, 27 & 29

- AIRCRAFT TYPE**
- Air Transport
 - Corporate
 - Military
 - Special Missions

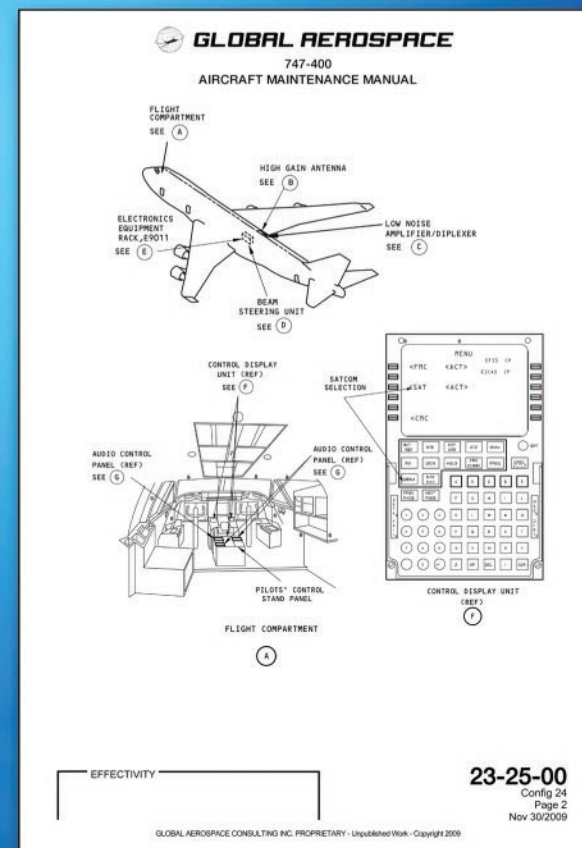
- SYSTEMS**
- Avionics
 - Instruments
 - Cabin & Galley
 - IFE

- Systems Design & Integration
- Cabin Reconfigurations
- FAA DER & DAR Services
- Onsite Support
- Installation Manpower
- Installation Kits
- New STC
- STC FCAA Validation
- Equipment Qualification (DO-160F)
- Equipment PMA
- Aircraft Pre-Buy Inspection
- Aircraft Compliance Inspection
- Export Airworthiness
- Supplier Oversight
- Part 26 Compliance (EWIS & Structures)
- Part 26 Site Compliance Evaluation

Technical Publications that integrate seamlessly into OEM manuals

- AMM
- FM
- IPC
- SSM
- WDM (Diagrams & BL, CB, EQ, HL, GL, PL, TL, ML, WL)
- FCOM
- AWL (All Lists)
- AWM
- ASM

- Manual electronic integration
- Toolbox & ADOC capable
- Manual Revision Service



www.seaerospace.com
Premier Avionics Source

FAA CRS# S66R266N
EASA# 145.5352
1399 General Aviation Drive
Melbourne International Airport
Melbourne, Florida 32935 USA
Telephone: +1-321-255-9877
Fax: +1-321-255-9608
Email: sales@seaerospace.com