

NOTE: THE KAC 501, KAC 502, KAC 503 AND KAC 504 MODULES ARE STATIC SENSITIVE COMPONENTS.  
 SOME INSTALLATIONS DO NOT REQUIRE ALL OF THE MODULES TO BE INSTALLED.  
 THE INSTALLATION PROCEDURE MUST BE PERFORMED IN AN ESD SAFE ENVIRONMENT BY QUALIFIED PERSONNEL.  
 RETAIN ALL OF THE ORIGINAL HARDWARE FOR REUSE AFTER INSTALLATION OF THE MODULES.

- RECORD THE PART NUMBER, SERIAL NUMBER AND MOD STATUS OF EACH MODULE.
- REMOVE THE SIDE PANEL SCREWS FROM THE KMD 540 MFD AS SHOWN IN FIGURE 1.
- SLIDE THE SIDE PANEL TOWARD THE REAR OF THE UNIT APPROXIMATELY 1/8 OF AN INCH AND REMOVE THE SIDE PANEL AS SHOWN IN FIGURE 2.
- REMOVE THE SCREW IN THE PCB LOCKING BAR ON THE TOP OF THE KMD 540 AS SHOWN IN FIGURE 1.
- REMOVE THE PCB LOCKING BAR BY TURNING IT 90° COUNTER-CLOCKWISE AS SHOWN IN FIGURE 3.
- INSTALL THE KAC 501 MODULE IN THE TOP SLOT WHICH IS COLOR-CODED GREEN AS SHOWN IN FIGURE 3.
- INSTALL THE KAC 502 MODULE IN THE SECOND SLOT FROM THE TOP WHICH IS COLOR-CODED RED AS SHOWN IN FIGURE 3.
- INSTALL THE KAC 504 MODULE IN THE THIRD SLOT FROM THE TOP WHICH IS COLOR-CODED YELLOW AS SHOWN IN FIGURE 3.
- INSTALL THE KAC 503 MODULE IN THE FOURTH SLOT FROM THE TOP WHICH IS COLOR-CODED BLUE AS SHOWN IN FIGURE 3.
- VERIFY EACH MODULE IS SECURELY SEATED INTO THE UNIT BEFORE REASSEMBLY.
- INSERT THE PCB LOCKING BAR AS SHOWN IN FIGURE 4 AND TURN IT 90° CLOCKWISE.
- VERIFY EACH MODULE IS SECURE.
- REINSTALL THE SCREW IN THE TOP OF THE PCB LOCKING BAR AS SHOWN IN FIGURE 4. APPLY A SMALL AMOUNT OF THREADLOCK COMPOUND TO THE SCREW BEFORE SECURING IT.
- REINSTALL THE SIDE PANEL. APPLY A SMALL AMOUNT OF THREADLOCK COMPOUND TO EACH SCREW BEFORE SECURING IT.
- INSTALL THE MODULE REFERENCE STICKERS ON THE KMD 540 MFD AS SHOWN IN FIGURE 5.

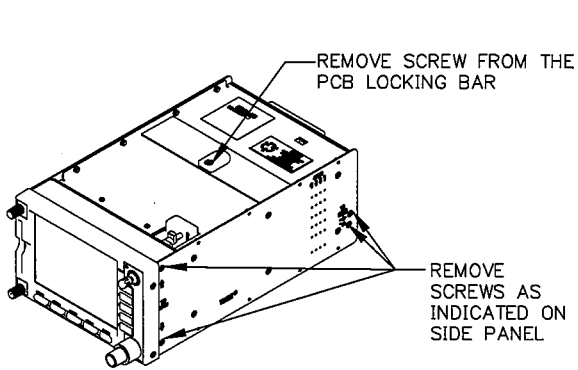


FIGURE 1

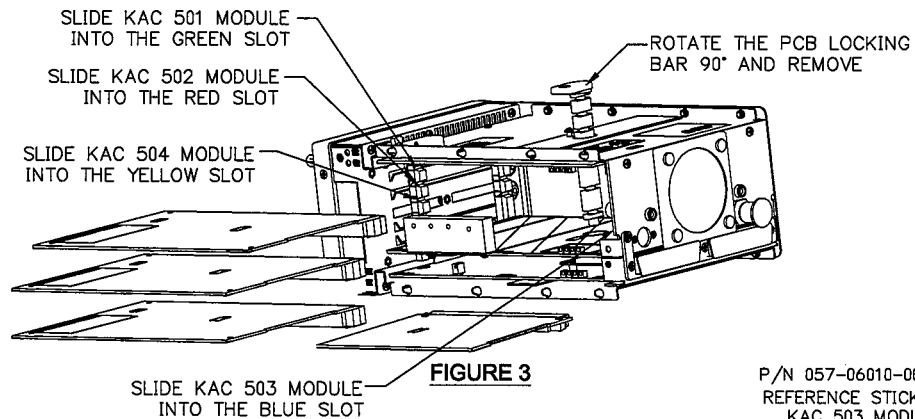


FIGURE 3

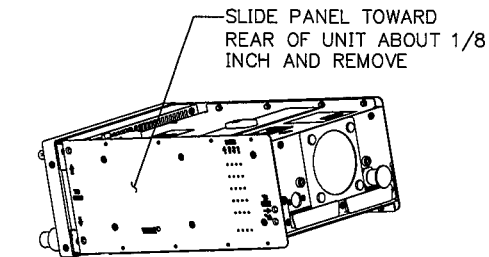


FIGURE 2

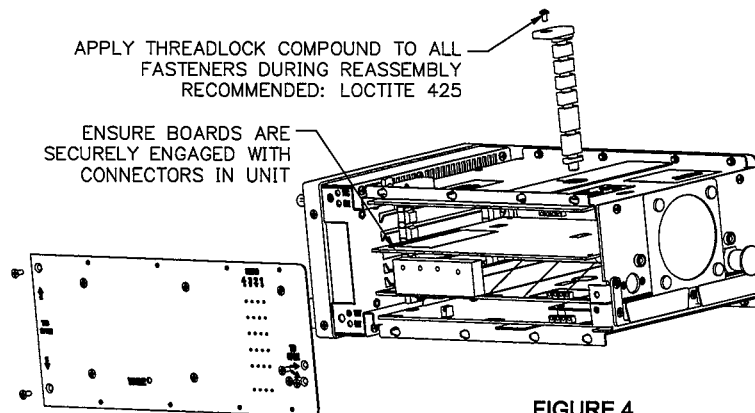


FIGURE 4

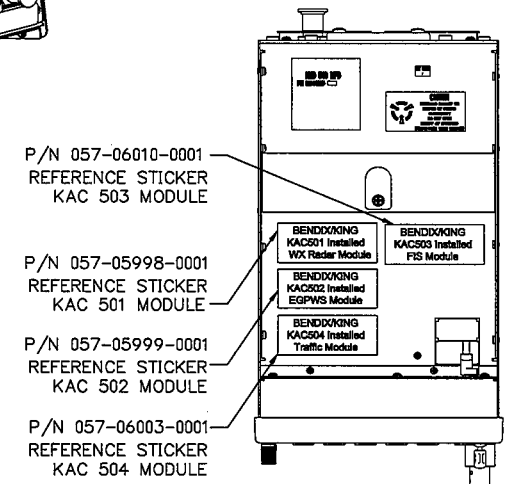


FIGURE 5