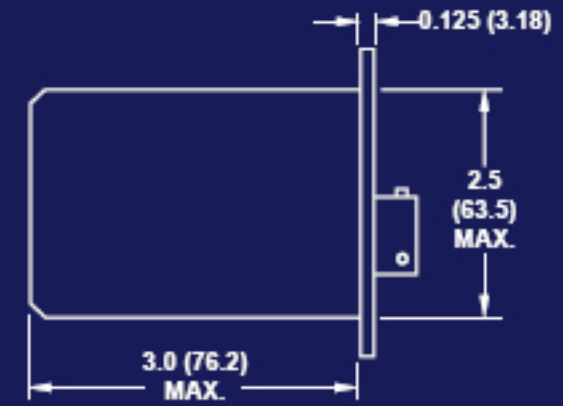
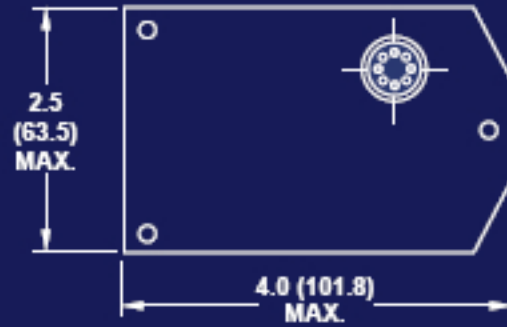
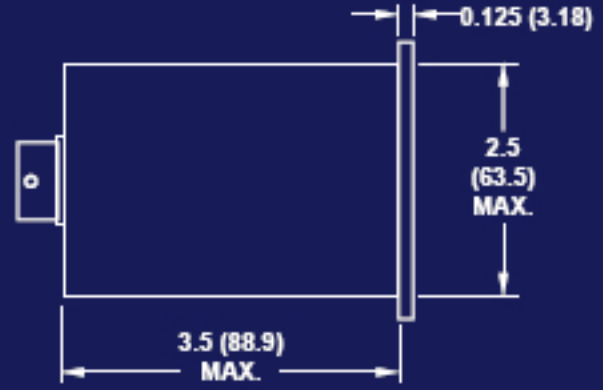
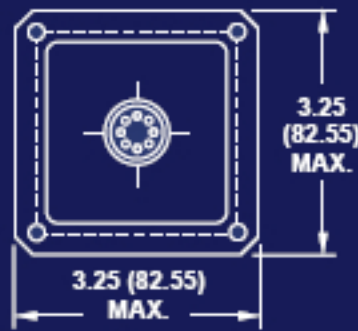


**ARINC 574 and 717
Mounting Base (Standard)**
Single, Dual, Triple Axis



**ARINC 542A
Mounting Base**
Single, Dual, Triple Axis

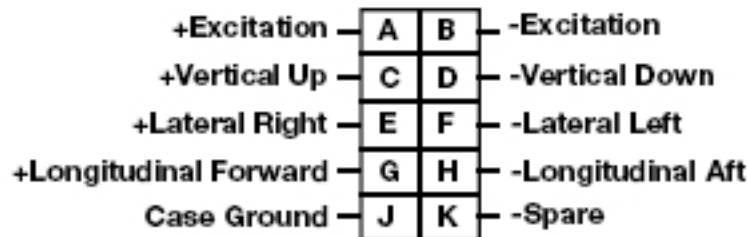


**IN
(MM)**

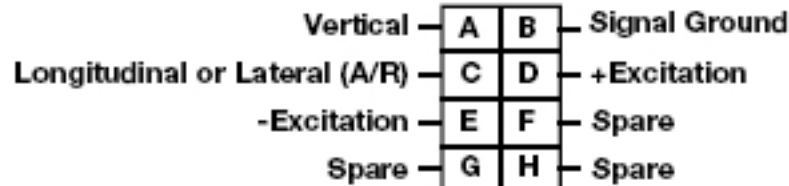
DIMENSIONS

PIN CONFIGURATION

MS 3113 H12C10P



MS 3113 H12C8P



ORDERING INFORMATION

3 0 0 1 - 0 1 - X X X -

Basic Model

Suffix: Used only for special applications.
eg. 2=ARINC 542A Mounting Base

Longitudinal: 1 = $\pm 1G$ (Standard)
X=Special; O=Not Installed

Lateral: 1 = $\pm 1G$ (Standard)
X=Special; O=Not Installed

Vertical: 1 = $+6G$ to $-3G$ (Standard)
X=Special; O=Not Installed