


NOTES:

1. UNLESS OTHERWISE SPECIFIED, DIMENSIONS ARE IN MILLIMETERS (INCHES), AND TOLERANCES ARE: $\boxed{\begin{matrix} \text{0.51} & (.020) & | & A & | & B & | & C \end{matrix}}$.
2. MATING SURFACE FLATNESS AND CLEANLINESS TO BE CONTROLLED SUCH THAT 2.5 MILLIOHM MAX CONTACT RESISTANCE IS ATTAINED BETWEEN THE ECU-3000 AND THE MMT-3010 OR VERTICAL MATING SURFACE.
3. UNIT WEIGHT: 0.08 kg (0.17) LB.
4. POWER SUPPLIED BY THE HOST LRU. \boxed{F}
5. CHANGE INDICATED BY LAST REVISION LETTER DENOTED INSIDE ARROW BLOCK.
6. THIS DRAWING APPLIES TO ECU-3000 CPN: 622-1200-XXX.
7. SEE TABLE 1 FOR WIRING INFORMATION.
8. MATING CONNECTOR (CPN: 359-0645-020) MS27484T10F35S, BACKSHELL (CPN: 859-6604-110) MB5049/49-2-10N.
9.  DENOTES CENTER OF GRAVITY.
10. UNIT SHOULD BE MOUNTED ON A VERTICAL SURFACE.

UNIT CONNECTOR P1

FUNCTION	PIN NO.
ECU POWER INPUT (8VDC NOM)	1
ECU ENABLE #1 INPUT	2
ECU WRITE ENABLE #1 INPUT	3
ECU SERIAL DATA OUTPUT	4
ECU ENABLE #2 INPUT	5
ECU WRITE ENABLE #2 INPUT	6
ECU CLOCK	7
ECU SERIAL DATA INPUT	8
ECU POWER RETURN/COMMON	9

TABLE 1

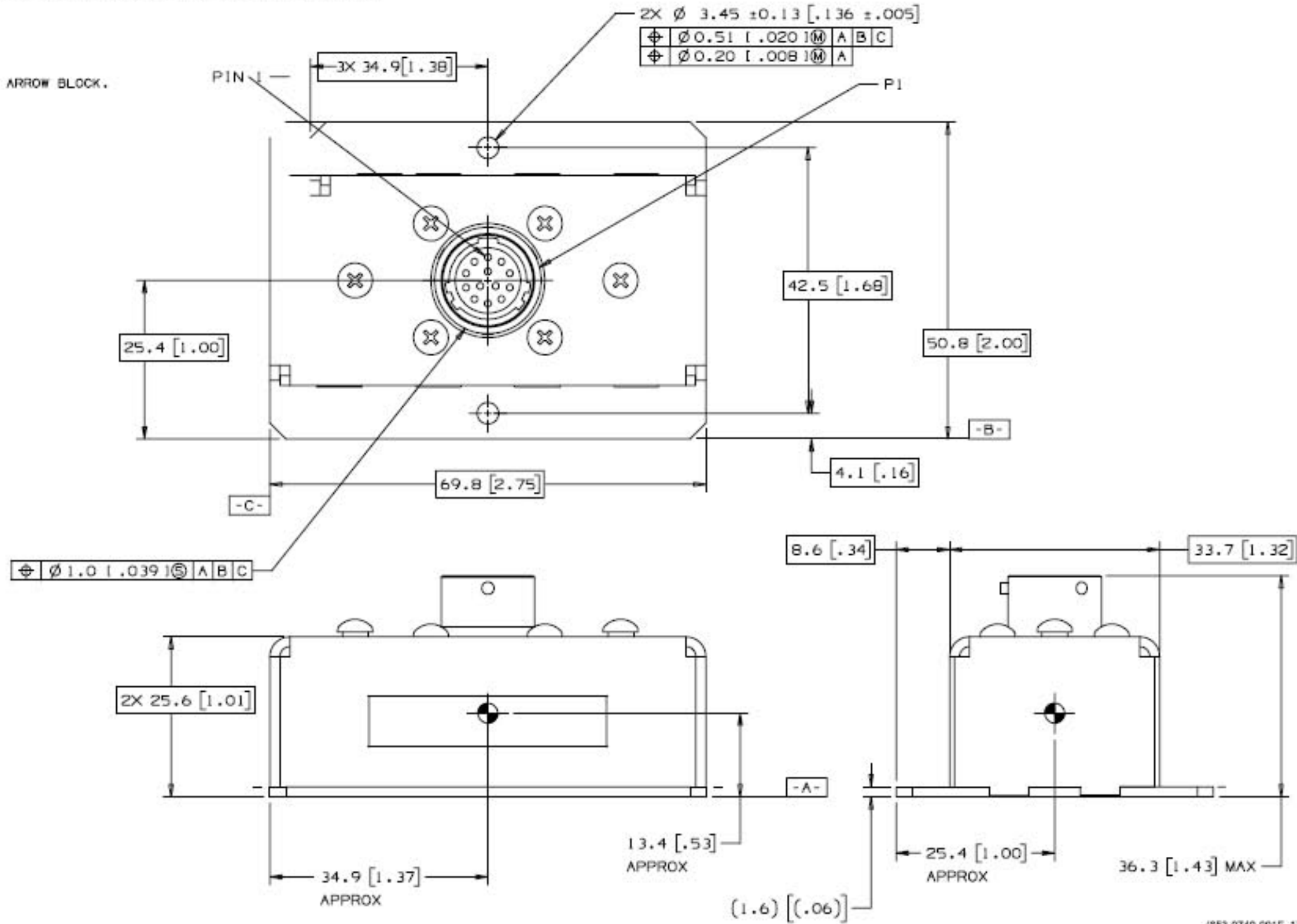


Figure 2-6. ECU-3000 External Compensation Unit, Outline and Mounting Diagram