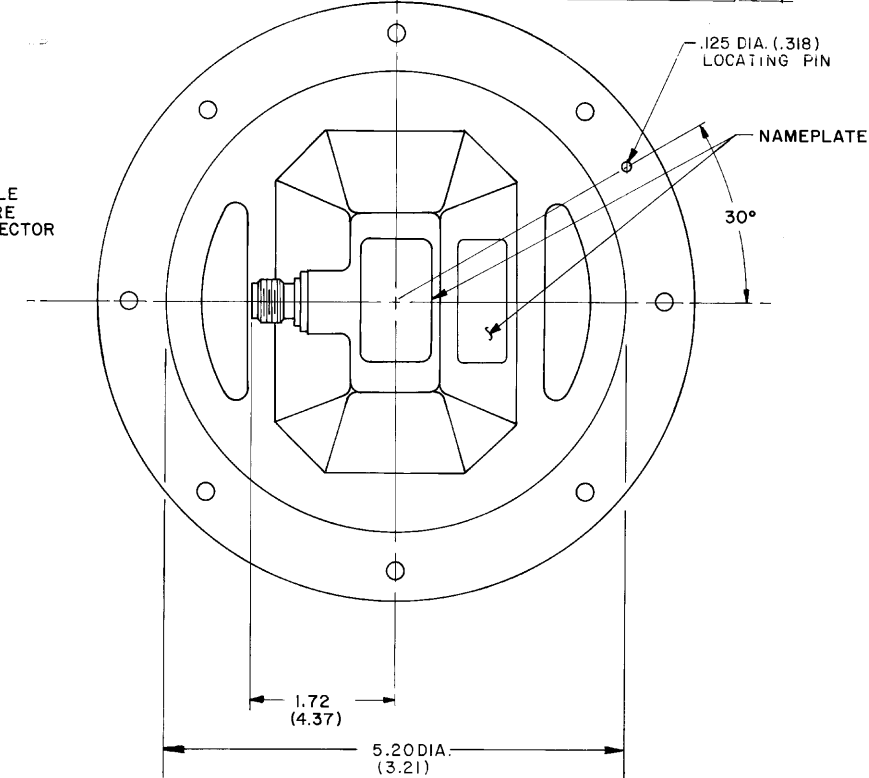
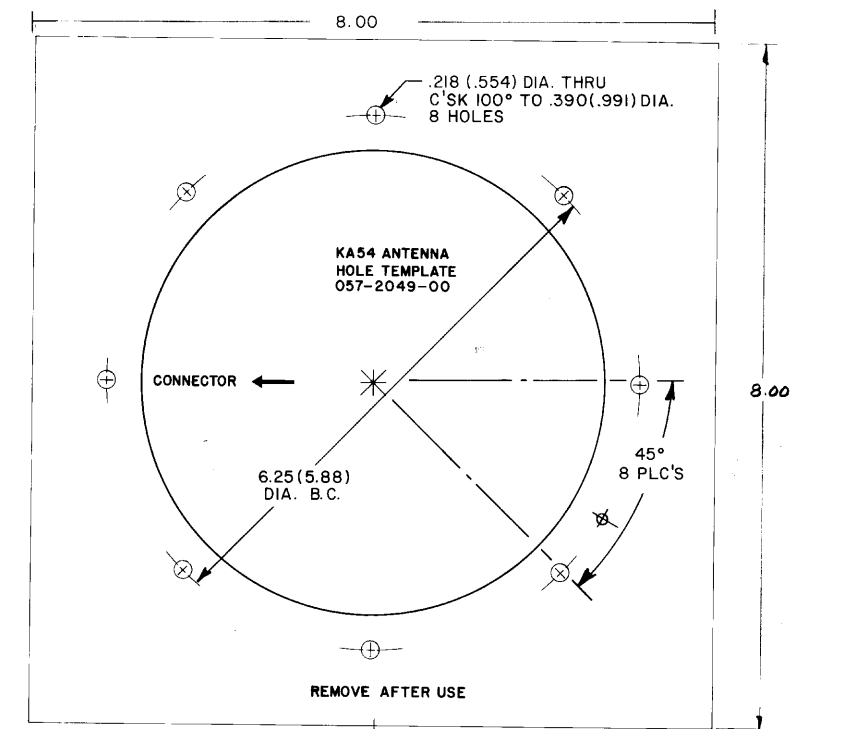
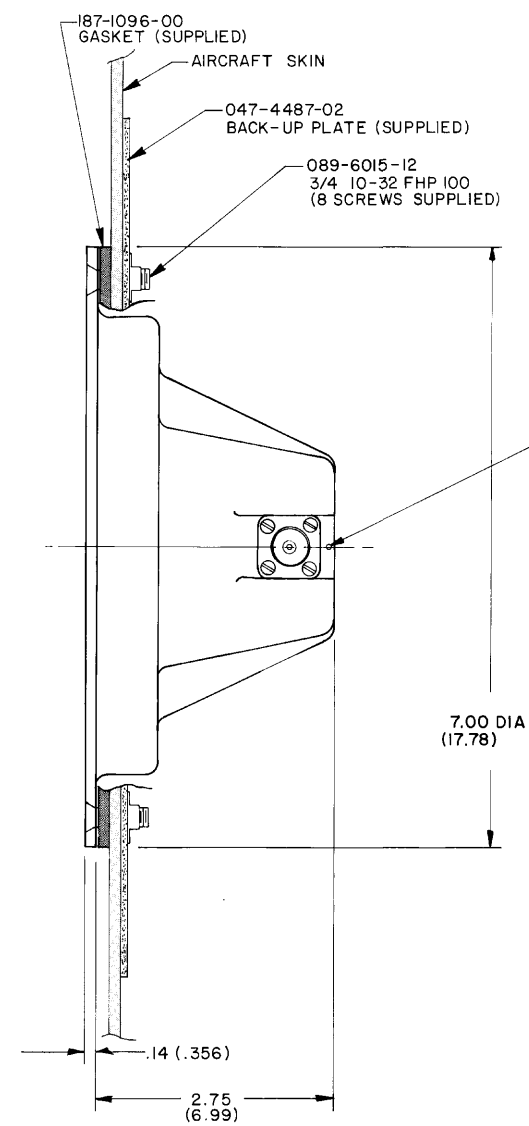


- NOTES:
1. DIMENSIONS IN () ARE IN CENTIMETERS.
 2. WEIGHT: LBS. (KG).
 3. —CAUTION—
DO NOT USE BACK-UP PLATE AS A TEMPLATE
USE TEMPLATE 057-2049-00 SUPPLIED IN THE
INSTALLATION KIT —REMOVE AFTER USE—
 4. GASKETS 187-1096-00(SUPPLIED) SHOULD BE USED
IN EACH INSTALLATION.
 5. BACK-UP PLATE, IF USED, SHOULD BE INSTALLED IN
ACCORDANCE WITH ACCEPTED FAA STANDARDS.
 6. SEE KRA 405 INSTALLATION MANUAL 006-0104-0X
FOR COMPLETE ANTENNA MOUNTING INSTRUCTIONS.



Dwg 155-05159-0000 Rev 1

FIGURE 2-4 KA 54 (Dorne Margolin Type DMPN 3-3/A) Antenna Outline and Mounting Drawing (Dwg No 155-05159-0000, Rev 1)