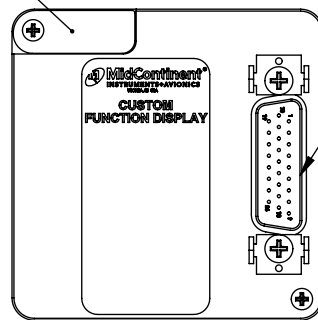
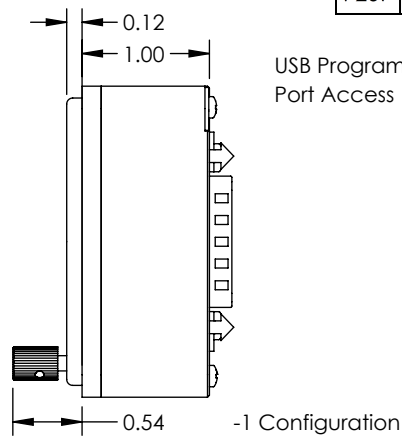
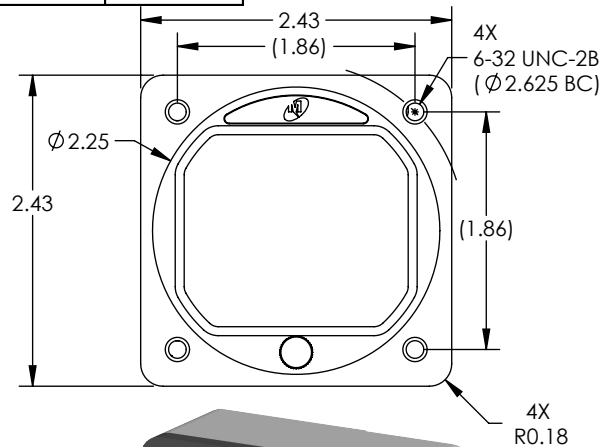
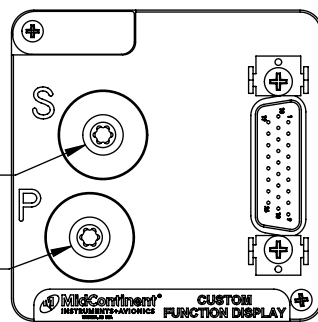
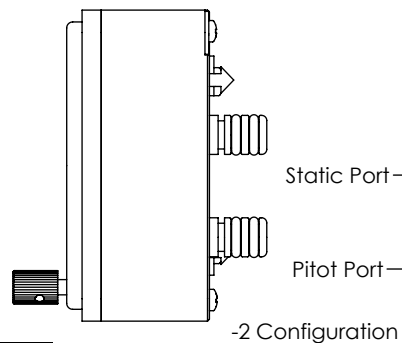


Configuration		
Dash #	Assembly	Nameplate
-1	9019160-1	9019154-1
-2	9019160-2	9019154-2

Revision				
ECO	Rev	Description	Date	Approved
	A	Production release.	09/01/20	BAW/VAA
7269	B	Add nameplate to Config table.	09/14/20	BAW/MEK

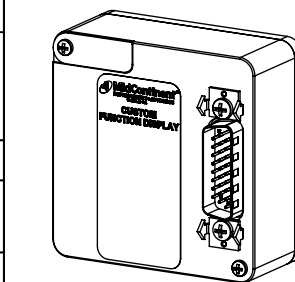


HD 26-pin D-Sub

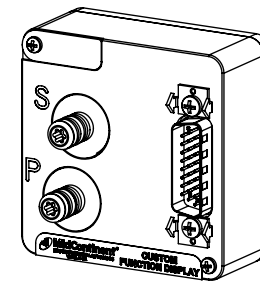


Connector Pinout			
Pin	Description	Pin	Description
1	Ground	14	ARINC In #1 B
2	ARINC Out A	15	Multi I/O #8
3	ARINC Out B	16	ARINC In #2 B
4	Dim Input	17	Multi I/O #11
5	ARINC In #1 A	18	Thermocouple +
6	ARINC In #2 A	19	+10-32VDC In
7	RS 232 In	20	Multi I/O #2
8	RS 232 Out	21	Multi I/O #4
9	Thermocouple -	22	Multi I/O #6
10	Reserved	23	Multi I/O #7
11	Multi I/O #1	24	Multi I/O #9
12	Multi I/O #3	25	Multi I/O #10
13	Multi I/O #5	26	Multi I/O #12

Specifications	
Model	MD23 "Flex" Custom Function Display (CFD)
Features	Compact 2-inch LCD indicator capable of reconfiguring inputs and outputs, including air data, with a modifiable graphical presentation
Power Input	10-32VDC, 4 Watts Nominal
Data Input	-1: Analog, Discrete, ARINC 429, RS232, Frequency -2: Analog, Discrete, ARINC 429, RS232, Pressure
Data Output	Analog, Discrete, ARINC 429, RS232
Certification	FAA/EASA TSO C2d, C10c, C106, C113b
Qualifications	RTCA/DO-178C, DAL A RTCA/DO-160G (see IM for details)
Mating	Primary Install Kit: MCIA p/n 9019162-1
Connectors	Pneumatic Install Kit: MCIA p/n 9019162-2
Install Manual	MCIA p/n 9019161
Weight	0.4 lbs (0.18 kg)



-1 Configuration



-2 Configuration

UNLESS OTHERWISE SPECIFIED, ALL DIMENSIONS ARE IN INCHES.
TOLERANCE:
FRACTIONAL=±1/64
.XX=±0.015
.XXX=±0.005
.XXXX=±0.002
ANGULAR=±0.5°
WEIGHT N.T.E. +5%
BREAK ALL SHARP EDGES
THREADS PER MIL-S-7742

DRAWN:
BAW
10/7/2018

APPROVED:
VAA
09/01/2020

This document discloses proprietary information of Mid-Continent Instrument Co., Inc. It may be reproduced or disclosed only with written permission of Mid-Continent Instrument Co. and is not to be used in any way detrimental to the interests of Mid-Continent Instrument Co., Inc.



TITLE: Custom Function Display, 2-inch	PART NUMBER: 6420023
SCALE: 2:3	DO NOT SCALE THIS DRAWING
SHEET: 1 of 1	