

PROPRIETARY NOTICE: This document contains proprietary information of AeroAntenna Technology, Inc. (AAT). Neither the document nor said proprietary information shall be published, reproduced, copied, disclosed or used for any purpose other than consideration of this document without the express written permission of a duly authorized representative of said AeroAntenna Technology, Inc.

REVISIONS			
SYM	DESCRIPTION	DATE	APPROVED
A	RELEASED TO PRODUCTION PER ECO 9137	01/28/10	

NOTES: UNLESS OTHERWISE SPECIFIED.

- 1 LABEL SIZE, SHAPE, CONTENTS AND LOCATION SUBJECT TO CHANGE WITHOUT NOTICE.
- 2 LOGO OPTIONAL.
- 3. TOLERANCES: .XX ± .03
.XXX ± .010

SPECIFICATION:

FREQUENCY: 1525-1615 MHz L1, Glonass (G1), L-Band
1164-1260 MHz L2, Glonass (G2), L5 (Galileo, E1, E5a, E5b)

POLARIZATION: RIGHT HAND CIRCULAR

AXIAL RATIO: 3 dB MAX @ BORESIGHT

RADIATION COVERAGE: 6.0 dBic 0° = 0°
-2.0 dBic 0° < θ < 75°
-3.0 dBic 75° ≤ θ < 80°
-4.0 dBic 80° ≤ θ < 85°
-5.0 dBic HORIZON



AMPLIFIER: NOISE FIGURE: 2.6 dB MAX
IMPEDANCE: 50 OHMS
VSWR: ≤2.0:1

POWER HANDLING: 1 WATT
FINISH: UV RESISTANT WHITE RADOME WITH BLACK ALUMINIUM BASE
WEIGHT: 1.1 LBS
OPERATING TEMP: -55°C TO +85°C
DESIGNED TO: D0-160D
ENV CAT: E1-ABB[CLMY]XSFDFSZAAACPH[A3][2A]CA

PART NO. DESIGNATION:

AT1675-382W-TNCF-000-RG-38-NM-R

COLOR
W = WHITE
* S = SMOKE GRAY
* O = OLIVE DRAB

CONNECTOR
* SMAF = SMA FEMALE
* BNCM = BNC MALE
TNCF = TNC FEMALE

CABLE LENGTH
* 000 = IN INCHES

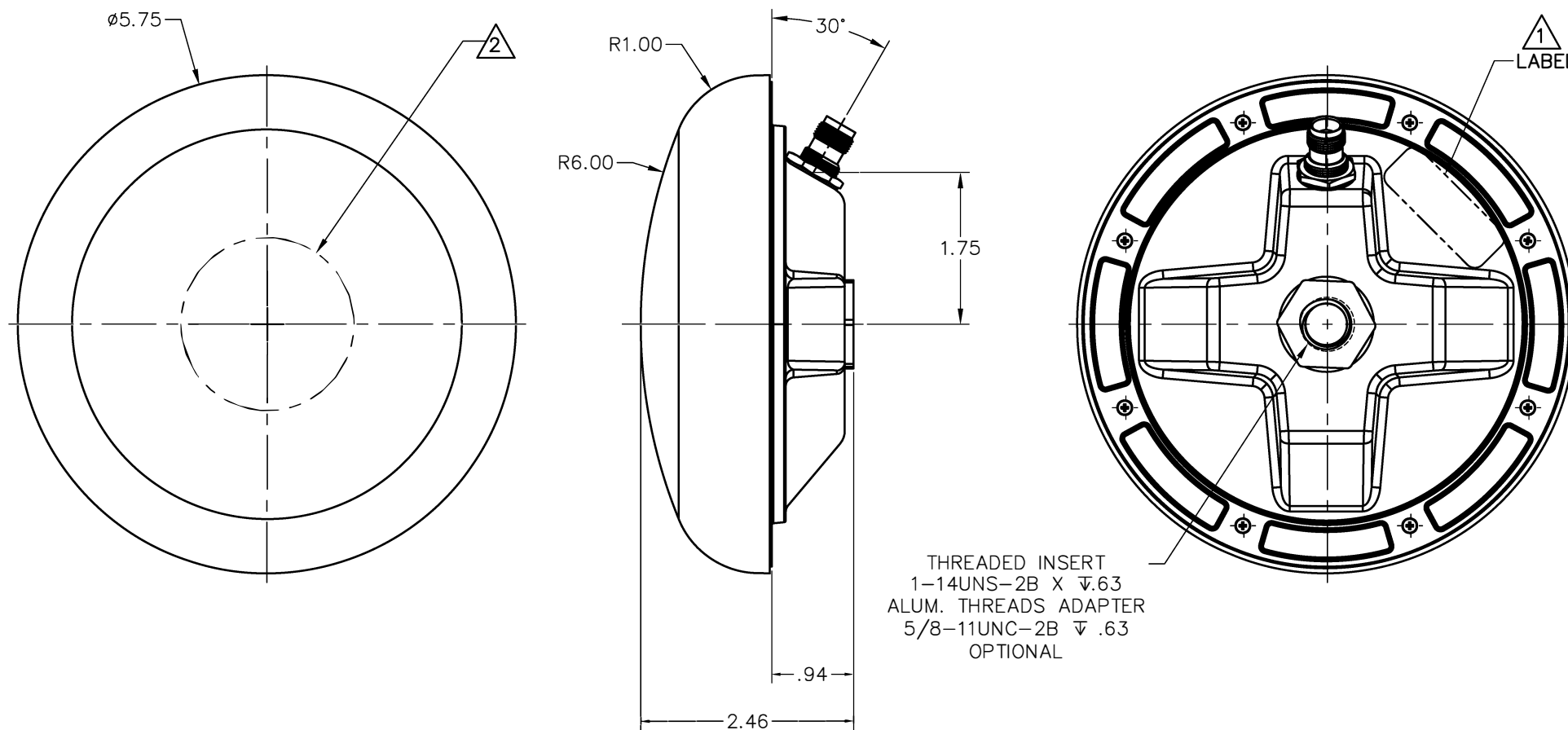
ROHS COMPLIANT
R = ROHS COMPLIANT

MAGNET
NM = NO MAGNET

GAIN (± 2 dB)
00 = PASSIVE
26 = 26 dB (40 mA)
39 = 39 dB (65 mA)
XX = OTHER

VOLTAGE
RG = 4.2 TO 15.0 VDC

* = OPTION NOT AVAILABLE WITH THIS MODEL
STANDARD MODEL= AT1675-382W-TNCF-000-RG-39-NM-R



THREADED INSERT
1-14UNS-2B X .63
ALUM. THREADS ADAPTER
5/8-11UNC-2B .63
OPTIONAL

DO NOT SCALE THIS DRAWING REMOVE BURRS AND BREAK SHARP EDGES: PART TO BE CLEAN AND OIL FREE ALL DIMENSIONS ARE IN INCHES DIMENSIONING & TOLERANCING PER ASME Y14.5M-1994 TOLERANCES: XX ± .01 FRACT = ± 1/32 XXX ± .005 ANG. = ± 1/2° ✓ SURFACE ROUGHNESS MACHINED PARTS V63 MOLDED PARTS V32		DRAWN V. GRINEVICH 01/28/10	AeroAntenna Technology Inc AS9100 CERTIFIED CO.	
HOLE DIA. TOLERANCE .0135 - .125 +.004 -.001 .126 - .250 +.005 -.001 .251 - .500 +.006 -.001 .501 - .750 +.008 -.001		CHECKED	TITLE GPS ANTENNA, GNSS	
NEXT ASSY		ENGR	SIZE B	CAGE CODE OUVG2
		MFG	DRAWING NO. AT1675-382	REV A
		Q.A.	SCALE NONE	I:\CAD\AT1675\382\AT1675-382_A
		APPROVED	SHEET 1 OF 1	
		DRAWN IN MCAD		