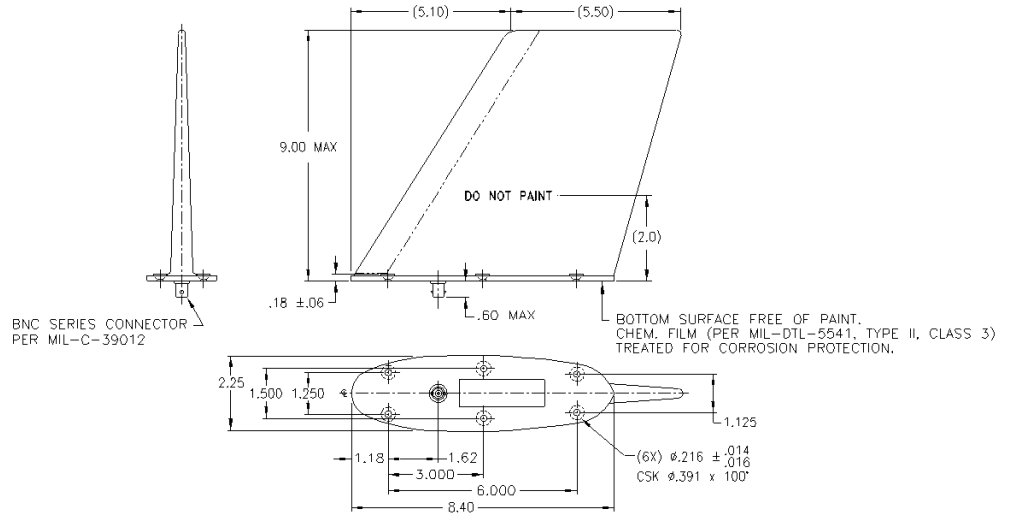


# ELT10-696-( )

## ELT 3-Frequency Blade Antenna



### Specifications

#### Electrical

|                |  |
|----------------|--|
| Frequency/VSWR | 121.5 MHz at 2.0:1<br>243 MHz at 2.0:1<br>406 MHz at 1.5:1 |
|----------------|--|

|              |          |
|--------------|----------|
| Polarization | Vertical |
|--------------|----------|

|                   |                 |
|-------------------|-----------------|
| Radiation Pattern | Omnidirectional |
|-------------------|-----------------|

|           |         |
|-----------|---------|
| Impedance | 50 Ohms |
|-----------|---------|

|       |          |
|-------|----------|
| Power | 10 Watts |
|-------|----------|

#### Mechanical

|        |                        |
|--------|------------------------|
| Weight | 1.2 lbs. max (0.54 kg) |
|--------|------------------------|

|        |                       |
|--------|-----------------------|
| Height | 9.0 in max (228.6 mm) |
|--------|-----------------------|

|          |                       |
|----------|-----------------------|
| Material | Fiberglass & Aluminum |
|----------|-----------------------|

|        |           |
|--------|-----------|
| Finish | See Chart |
|--------|-----------|

|           |     |
|-----------|-----|
| Connector | BNC |
|-----------|-----|

#### Environmental

|              |           |
|--------------|-----------|
| Speed Rating | 600 knots |
|--------------|-----------|

|             |                  |
|-------------|------------------|
| Temperature | -55 °C to +70 °C |
|-------------|------------------|

|           |       |
|-----------|-------|
| Side Load | 8 psi |
|-----------|-------|

|           |   |
|-----------|---|
| Vibration | Func: 4.12 g <sub>RMS</sub><br>End: 5.85 g <sub>RMS</sub> |
|-----------|---|

|       |                             |
|-------|-----------------------------|
| Shock | 6 g <sub>PK</sub> , 11 msec |
|-------|-----------------------------|

#### Federal Specifications

|           |                         |
|-----------|-------------------------|
| Approvals | FAA TSO-C91a & TSO-C126 |
|-----------|-------------------------|

### ELT10-696-( ) ELT 3-Frequency Blade Antenna

The ELT10-696-( ) series of antennas are high-performance, externally mounted, Emergency Locator Transmitter (ELT) blade antennas, which operate at the 121.5 MHz, 243 MHz, and 406 MHz emergency frequencies. The antennas are constructed of fiberglass and epoxy materials, and the internal components are foamed in place to avoid problems incurred by aircraft shock and vibration.

#### Series

| DG PN       | Finish/Color                                    | Notes   |
|-------------|---|---|
| ELT10-696   | Grey Polyurethane                               |   |
| ELT10-696-1 | White Polyurethane                              |   |
| ELT10-696-2 | White Polyurethane                              | Includes extra cable coil for cable integrity testing |
| ELT10-696-5 | Grey Polyurethane With Black DO NOT PAINT signs |   |