



JA37-300 / JA37-600 Aural Message Generator 3 or 6 Channel - Analog Inputs

Data Sheet



Description

Each of three JA37-300 sensor channels can be programmed for a particular sensor type, as depicted in the table below :

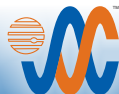
JA37-300 and JA37-600	JA37-600	Discrete	Tachometer	0 - 5 Vdc Transducer	0 - 100mVdc Transducer	K Type Thermocouple
INPUT 1	INPUT 4	✓	✓	✓		✓
INPUT 2	INPUT 5	✓	✓		✓	✓
INPUT 3	INPUT 6	✓	✓	✓	✓	

When configured for analog input, each channel has a programmable trigger threshold and direction. Each trigger will cause a message of up to 11 seconds duration to play when activated.

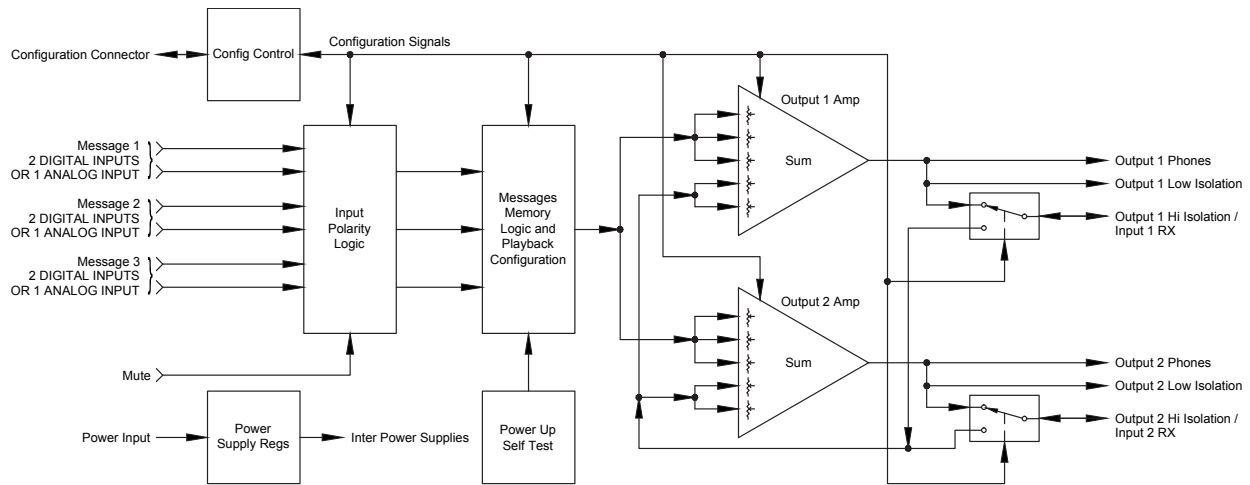
By using a Windows® based application (ProCS™), loading messages and other configuration parameters may be carried out via a 3.5mm jack, even after installation in the aircraft.

Features

- Field configurable settings
- Voltage or ground seeking trigger inputs
- Two digital or one analog trigger input per message
- Each message configured as “one-shot” or repeating continually
- Messages play simultaneously or sequentially (if prioritized)
- Two balanced outputs
- Tone or voice message library available
- Two RX Audio inputs for mixing with messages
- Message mute input

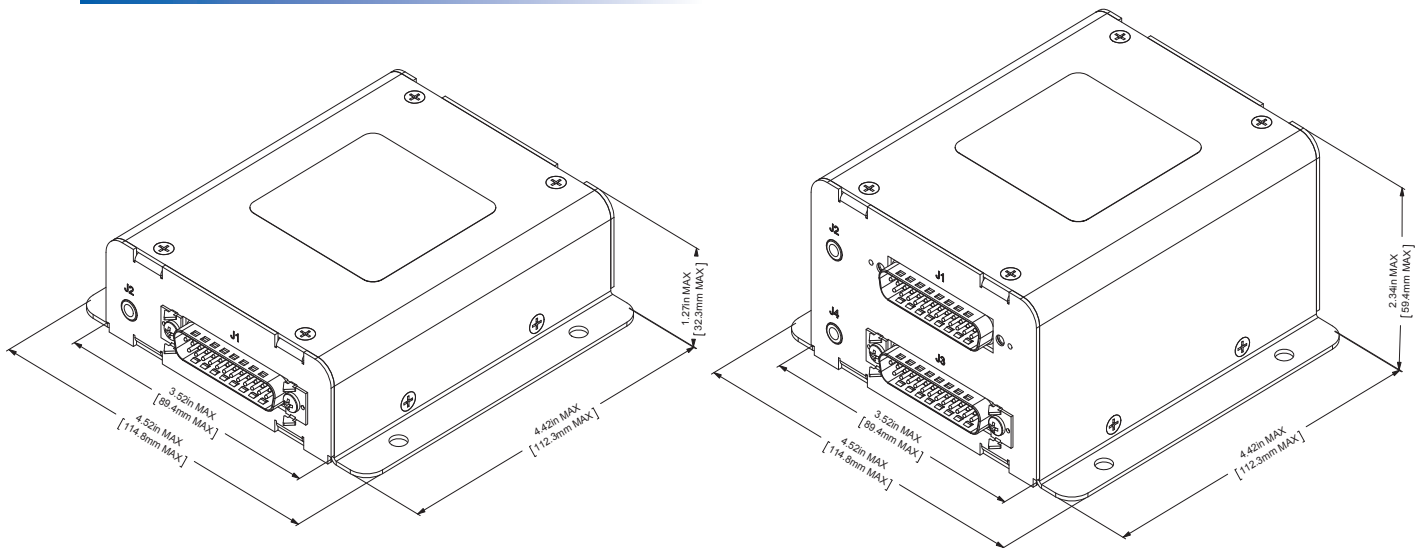


JA37-300 / JA37-600 Block Diagram



Note: The block diagram shown is for each connector.

JA37-300 / JA37-600 Specifications Installation



Weight: 0.74 lb. [0.33 kg] Max.

Weight: TBD.

Environment and Performance

	JA37-300	JA37-600
Electrical Power	11 – 30 Vdc @ 0.5A Max	11 – 30 Vdc @ 0.5A Max
Operating Temperature	-40 C to +70 C	-40 C to +70 C
Survival Temperature	-55 C to +85 C	-55 C to +85 C
Altitude	50,000 ft. max	50,000 ft. max
Humidity	95%, 48 hrs	95%, 48 hrs
Shock	20g (any axis)	20g (any axis)
TSO Compliance	Contact JAC for TSO status	Contact JAC for TSO status
Installation Kit	INST-JA37	INST-JA37 (Qty 2)

