

# VHF/WLAN S65-8280-37



## Description

**S65-8280-37:** All metal VHF communications an-tenna combined with WLAN frequencies of 2.2 to 2.5 GHz. WLAN section is designed for spread spectrum wireless local area network communications utilizing IEEE 802.11 b/g. The rugged design is highly resistant to impact damage and erosion.

**Federal & Military Certifications:** TSO-C37b & 38b, MIL-STD-810, MIL-HDBK-5400, MIL-E-5272C, MIL-A-7772B (ASG), MIL-A-6271A, MIL-A-9094C, IEEE 802.11b/g.

## Specifications

### Electrical

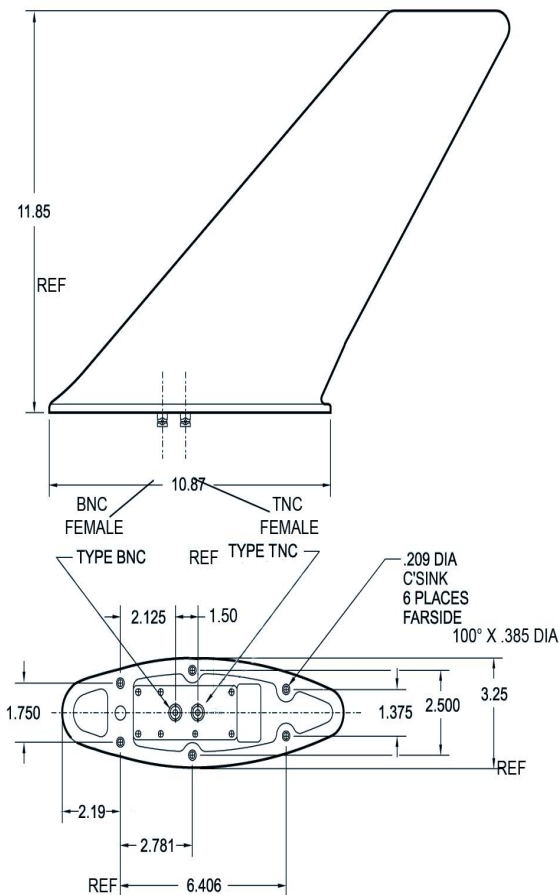
Frequency	VHF: 118-156 MHz WLAN: 2.2-2.5 GHz
VSWR	VHF: $\leq 2.0:1$ WLAN: $\leq 2.0:1$
Patterns	Omnidirectional in Azimuth Cosinusoidal in Elevation
Polarization	Vertical
Impedance	50 $\Omega$
Power	250 Watts Continuous 1000 Watts Peak

### Mechanical

Weight	3.0 lbs.
Height	11.85 in.
Material	A356-T61 Aluminum Alloy Casting
Finish	Skydrol Resistant Polyurethane Enamel
Connector	VHF: BNC Female WLAN: TNC Female
Drag	1.5 lbs @ Mach .85 @ 35,000 ft.

### Environmental

Temperature	-55°C (-67°F) to +85°C (+185°F)
Altitude	60,000 ft.



Please Note: For REFERENCE ONLY  
Contact Sensor Systems for latest drawing



A HEICO COMPANY

Website: [www.sensorantennas.com](http://www.sensorantennas.com)

Phone: 818-341-5366