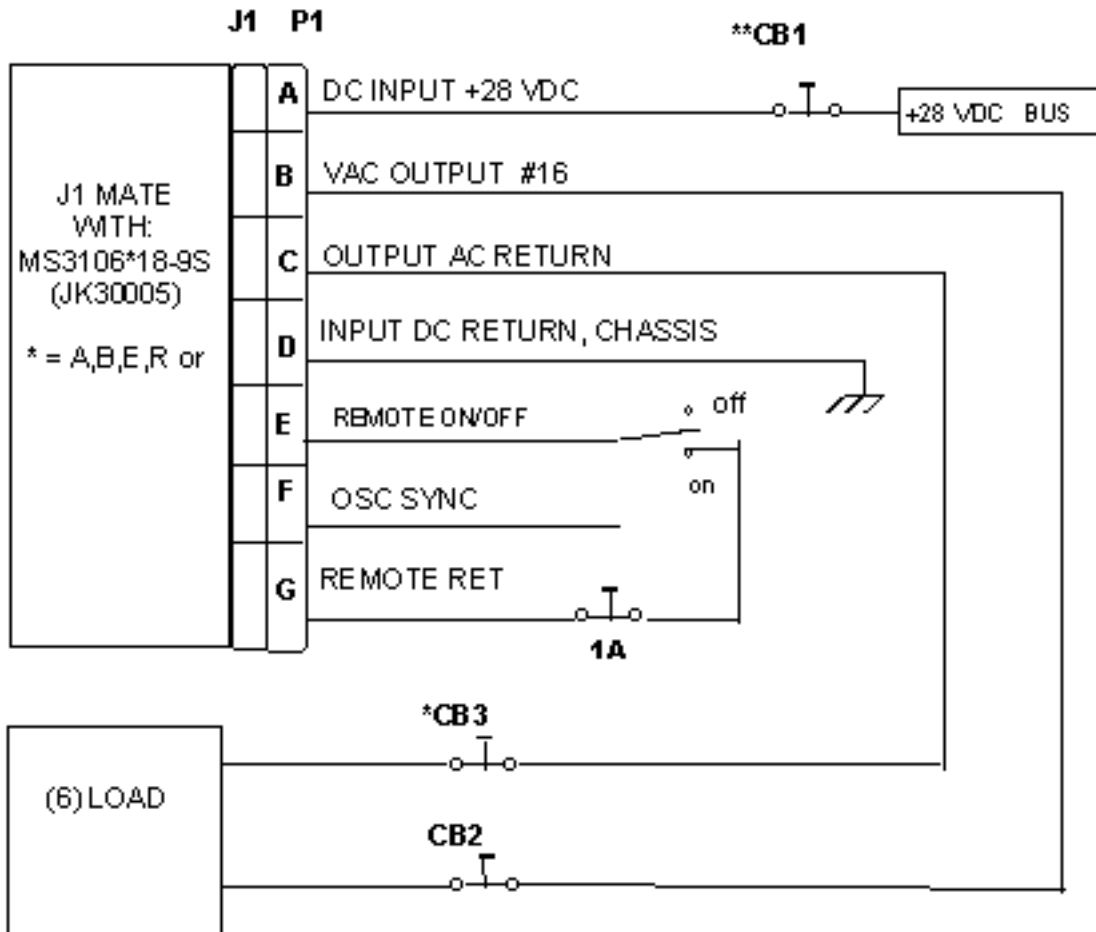


SPS-206, SPS-306 Series

60/50 Hz STATIC INVERTERS

External Wiring



NOTES:

1. RATING OF PROTECTIVE ELEMENT SHOULD CLEAR IN THE EVENT OF A LOAD SHORT.
2. FOR MODELS WITH REMOTE ON-OFF ONLY
3. 115 VAC OR 230 VAC, 50 Hz OR 60Hz.
4. 14 VDC FOR MODEL SPS-316
5. 50 AMPS FOR MODEL SPS-316
6. MATING CONNECTOR: MS3106B18-9S