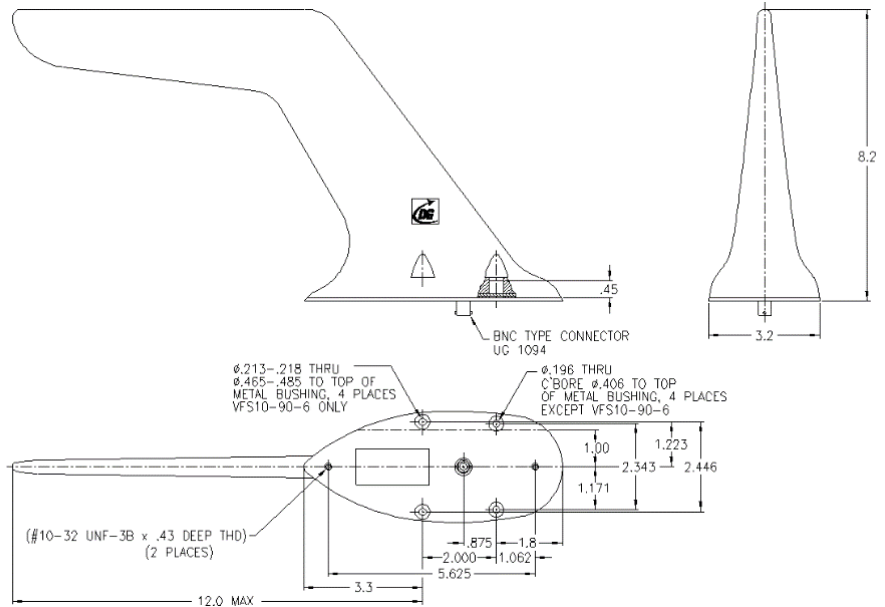


# VFS10-90-( )

## VHF Communications Antenna



Excellence in Aerospace since 1943



### Specifications

#### Electrical

Frequency	See Chart
VSWR	See Chart
Polarization	Vertical
Radiation Pattern	Omnidirectional
Gain	117.5 MHz -1.0 dBi 130MHz 4.0 dBi 150 MHz 0 dBi
Impedance	50 Ohms
Power	100 Watts

#### Mechanical

Weight	See Chart
Height	8.2 in (208.3 mm)
Material	Fiberglass
Finish	See Chart
Connector	BNC

#### Environmental

Speed Rating	600 knots
Temperature	-55 °C to +70 °C
Vibration	Funct: 4.12 g <sub>RMS</sub> End: 5.85 g <sub>RMS</sub>
Shock	20 g <sub>pk</sub> , 11 msec

#### Federal Specifications

Approvals	FAA TSO-C169a* *This antenna's TSO qualification was upgraded from TSO-C37b & TSO-C38b on 1/3/2018
-----------	---

### VFS10-90-( ) VHF Communications Antenna

The VFS10-90-( ) antennas consist of a series of vertically polarized VHF communications antennas. The bent blade design offers high performance in a low-profile envelope.

#### Series

DG PN	Freq. (MHz)	VSWR	Weight	Color	Notes
VFS10-90-2	118-150	2.5:1	1.3 lbs	White	Designed to operate in a specific range of 118-150 MHz.
VFS10-90-3	139.5	2.5:1	2.0 lbs	White	
VFS10-90-4	118-136	2.5:1	1.7 lbs	Black	
VFS10-90-5	118-136	3.0:1	1.3 lbs	White	Designed with DG PN 15340 static discharger mounted at the trailing edge of the antenna.
VFS10-90-6	116-118 118-150	3.5:1 2.5:1	1.6 lbs	Black	Designed for Bell Helicopter.
VFS10-90-7	118-136	3.0:1	1.3 lbs	White	Designed with DG PN 16390 static discharger mounted at the trailing edge of the antenna.
VFS10-90-8	118-153	2.5:1	1.3 lbs	White	Increased frequency range coverage to handle satellite VHF links and VHF comms.
VFS10-90-9	118-153	2.5:1	1.3 lbs	Black	Increased frequency range coverage to handle satellite VHF links and VHF comms.
VFS10-90-10	118-153	2.5:1	1.5 lbs	White	Designed with an O-ring on base and erosion protection on leading edge.
VFS10-90-11	118-150	2.5:1	1.3 lbs	Black	